



Hoover's quick & snappy start up guide.

510 L Upright Freezer

Model #:	HV-RUF510
Version #:	V1.0
After Sales Support	1300 886 649

Let's get your freezer up and running!

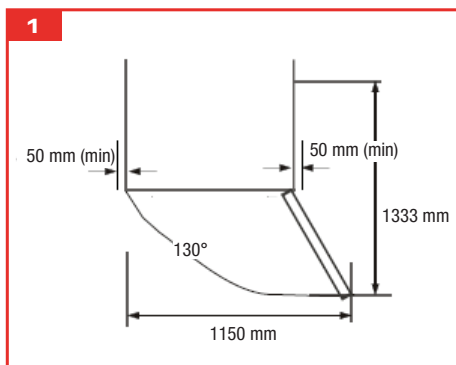
Welcome to your new Hoover upright freezer! We hope that this product brings you many years of enjoyment.

Comprehensive installation instructions, diagrams and safety advice are provided in the supplied instruction manual.

CAUTION! The unit is heavy - transport it with care! To avoid back or other injury, we recommend you ask someone for help or use a mechanical aid when moving it.

Installation

- Before you start installing your new upright freezer, wipe the interior surfaces and accessories with a well wrung out cloth moistened with lukewarm water with a little baking soda added. This will remove any dust from transit and storage and help remove the typical smell of a brand new product. Dry thoroughly.
- The freezer is designed for freestanding use. The floor must be strong, sturdy and level—adjust the leveling feet, if necessary. Avoid areas where the freezer would be exposed to direct sunlight, heat, extreme cold ambient temperatures or excessive moisture and high humidity. Installing it in the coolest area of the room will save energy consumption and running costs. Allow at least 10 cm clear space at the back and 5 cm at the sides (Fig. 1) so air can circulate freely around the freezer.

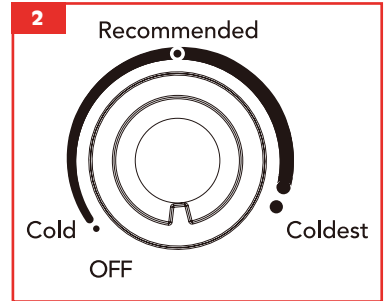


Setting Up

- Before plugging in your new freezer, let it stand upright for at least 4 hours to allow the refrigerant gases to settle into the compressor.
- Plug in the freezer and secure the power supply cord behind the unit, making sure the plug is accessible after installation.
- When first starting up, and after a period out of use, allow the unit to cool down on the coldest setting for at least 2-3 hours before placing any items in the freezer.

Temperature regulation

- To adjust the freezer temperature, turn the freezer temperature control dial (Fig. 2) clockwise towards COLDEST to lower the temperature (recommended for hot months) and anticlockwise towards COLD to increase the temperature (recommended for cold months) (Fig. 4). You can also turn the dial to OFF to switch off the freezer.
- A middle setting on RECOMMENDED should be appropriate for normal usage.
- When making ice cubes, or after you have added larger quantities of unfrozen food, set the control temporarily to COLDEST for fast freezing.



Inside the freezer

- The interior of the freezer (Fig. 3) includes a variety of storage solutions to keep your frozen products organised.
- This freezer is suitable for freezing domestic quantities of fresh food and long-term storage (up to three months) of frozen food.
- The walls of the freezer are equipped with a series of runners (A) so that you can position the wire shelves (B) to suit your individual storage requirements.
- The door balconies (C) may also be placed at different heights: gradually pull a balcony up until it is free, then reposition it as required.
- The freezer also includes a wire drawer (D), and a temperature control dial (E).

