



5 kg Vented Dryer

INSTRUCTION MANUAL

MODEL: HV-LVD5

AFTER SALES SUPPORT
(AU) 1300 886 649 (NZ) 0800 836 761

Contents

- 03 General Safety Instructions**
- 07 Product Overview**
- 09 Installation**
- 14 Getting Started**
- 15 Instructions**
- 18 FAQs and Troubleshooting Guide**
- 20 Other Useful Information**

General Safety Instructions

IMPORTANT! READ CAREFULLY AND KEEP FOR FUTURE REFERENCE

Read this manual thoroughly before first use, the safety precautions enclosed herein reduce the risk of fire, electric shock and injury when correctly adhered to. Keep the manual in a safe place for future reference, along with the completed warranty card and purchase receipt. If applicable, pass these instructions on to the next owner.

Always follow basic safety precautions and accident prevention measures when using an electrical appliance, including the following:

Electrical safety and cord handling

- **Voltage:** Make sure your outlet voltage and circuit frequency correspond to the voltage indicated on the appliance rating label and your outlet socket is properly earthed. If this is not the case, do not use the dryer.
- **Separate circuit:** We strongly recommend you connect the appliance to a separate circuit serving only this appliance. This provides the best performance and prevents overloading the house wiring circuits that could cause a fire hazard from overheating.
- **Electrical hazard:** Do not insert any objects into the appliance.
- **No extension cord:** Do not use this appliance with a power adaptor or extension cord. **CAUTION:** If such a device must be used, the cord or outlet device must be positioned so that it is not subject to splashing or ingress of moisture.
- **Protect the power cord.** Do not kink or damage the power cord. Position the cord out of the way so no one steps on or places anything on the cord or against it. Do not run the cord under floor coverings. Arrange the cord away from traffic areas where it will not become a trip hazard.
- **Damage:** Do not operate the appliance after it malfunctions or has been dropped or damaged. In case of damage, contact our after sales support centre for advice.
- **Damaged cord:** If the power supply cord is damaged, do not attempt to change it yourself. A damaged cord or plug must be replaced by the manufacturer or a qualified person in order to avoid a hazard.
- **Disconnect:** Unplug the clothes dryer from the power supply after use, before cleaning, servicing or moving the appliance. To disconnect, turn the appliance off, switch off the power outlet and remove the plug from the power outlet. Grip the plug when disconnecting; do not pull on the cord. After disconnection, wait at least two minutes before turning the appliance back on again.
- **RCD:** Unless your home is already fitted with a residual current device (safety switch), we recommend installing an RCD with a rated residual operating current not exceeding 30 mA to provide additional safety protection when using electrical appliances. See your electrician for professional advice.
- **Winding the cord:** If winding the power cord, avoid tight bends as this could damage the cord.

General Safety Instructions (Cont.)

Usage conditions and restrictions

- **Domestic use only:** This appliance is intended for household use only. It is not suitable for commercial, industrial or trade use. Do not use it for anything other than its intended purpose (drying domestic quantities of washing), and only use it as described in this manual.
- **Indoor use only:** Do not use the appliance outdoors.
- **Usage restriction:** The appliance is not intended for use by persons (including children) with reduced physical, sensory or mental capabilities, or lack of experience and knowledge, unless they have been given supervision or instruction concerning use of the appliance by a person responsible for their safety.
- **Children:** Supervise children to ensure they do not play with the dryer. Close supervision is necessary when any appliance is used by or near children.
- **Installation requirements:** Do not install the appliance in a tight fitting cabinet. Do not install it near heat sources such as radiators, heaters, air ducts or direct sunlight. Place the clothes dryer on a flat, firm, dry and stable floor in a well ventilated area. Use the adjustable front legs to assist in levelling the dryer if required. Do not place it on any soft material such as foam or plastic.
- **Ventilation:** Do not block any ventilation openings. Ensure that vents are not covered by newspapers, tablecloths, curtains, carpet, etc.
- **Before use:** Make sure to remove transport packaging at the rear of the dryer.
WARNING: Before loading the dryer, always ensure no pet or young child has climbed into it. Do not overload the clothes dryer.
- **Suitability for tumble drying:** Only load suitable items into the clothes dryer. See the box on the opposite page for which items and materials are unsuitable for the clothes dryer and may present a fire risk.
- **Preparation:** Make sure all pockets of clothing to be dried are empty. Hard, sharp objects such as coins, safety pins, bra wires, nails, screws, lighters or matches must be removed as they can cause extensive damage to the dryer.
WARNING: Any damage or malfunction resulting from foreign objects is not covered by your warranty and may lead to expensive repairs.
- **No open flames:** Do not place open flame sources such as candles on the dryer.
- **Hot surface:** Parts of the appliance may be hot after a long drying cycle. Always ensure children are kept away from the machine. Do not store plastic, paper or clothing that may burn or melt on top of the dryer during operation.
- **Cool down:** The final part of a clothes dryer cycle occurs without heat (cool down cycle) to ensure that the items are left at a temperature that will not damage them.
WARNING: Never stop the clothes dryer before the end of the drying cycle unless all items are removed quickly and spread out so the heat is dissipated.
- **Subsequent cycles:** After turning off the power supply to the clothes dryer, wait at least two minutes before turning it back on again.

General Safety Instructions (Cont.)

- **Lint filter: WARNING!** The lint filter must be in place when drying. It must be cleaned before or after each use.
- **Service/repair:** Except for the filters that require cleaning, this appliance contains no user-serviceable parts inside. Do not attempt to open, disassemble or repair it yourself; only have it serviced by qualified personnel, call our after sales support centre. The appliance should not be tilted or turned sideways during use or maintenance.
- **WARNING:** This appliance must not be supplied through an external switching device, such as a timer, or connected to a circuit that is regularly switched on and off by a utility.
- **Misuse:** Improper use or installation may result in the risk of fire, electric shock and/or injury. We accept no liability for any eventual damages or injury caused by improper use or handling, or by any other noncompliance with the instructions in this manual.

CAUTION!

The items listed below are UNSUITABLE for clothes drying. They can cause fire in the dryer or extensive damage. DO NOT place them in the clothes dryer.

- ☒ Items containing foam rubber (also known as latex foam) or similarly textured rubber-like materials — when heated, these materials can spontaneously combust and cause a fire.
- ☒ Items that have been spotted or soaked with cooking oil, or with highly flammable substances — these substances constitute a fire hazard. Highly flammable substances used in domestic environments include acetone, alcohol, petrol, kerosene, some stain removers, dry-cleaning solvents, turpentine, waxes, wax removers and some hair care products. (This also includes items that have previously been cleaned or spotted with dry-cleaning solvents or other flammable or explosive substances.)
- ☒ If it is unavoidable that fabrics that contain vegetable or cooking oil, or that have been contaminated by hair care products, be placed in a tumble dryer, they should first be washed in hot water with extra detergent — this will reduce, but not eliminate, the hazard. The ‘cool down’ cycle of a clothes dryer should be used to reduce the temperature of the items. They should not be removed from the clothes dryer or piled or stacked while hot.
- ☒ Undergarments that contain metal reinforcements (such as underwire bras), which can come loose during drying and damage the clothes dryer.
- ☒ Plastic articles such as shower caps or waterproof baby bibs.
- ☒ Rubber-backed articles, clothes fitted with foam rubber pads, pillows, galoshes and rubber coated tennis shoes.
- ☒ Fabric softeners or similar products, unless specifically recommended by the product manufacturer for use in a clothes dryer to eliminate the effects of static electricity.

General Safety Instructions (Cont.)

CAUTION!

- Do not use the tumble dryer if industrial chemicals have been used for cleaning.
- Do not dry unwashed items in the tumble dryer.
- Do not allow lint to accumulate around the tumble dryer. Clean the filter after every use.
- Adequate ventilation has to be provided to avoid the backflow of gases into the room from appliances burning other fuels, including open fires.



WARNING: Risk of fire

This symbol alerts you to take care as oil-affected items can ignite spontaneously, especially when exposed to heat, such as in a clothes dryer. The items become warm, causing an oxidation reaction in the oil. Oxidation creates heat. If the heat cannot escape, the items can become hot enough to catch fire. Piling, stacking or storing oil-affected items can prevent heat from escaping and so create a fire hazard.

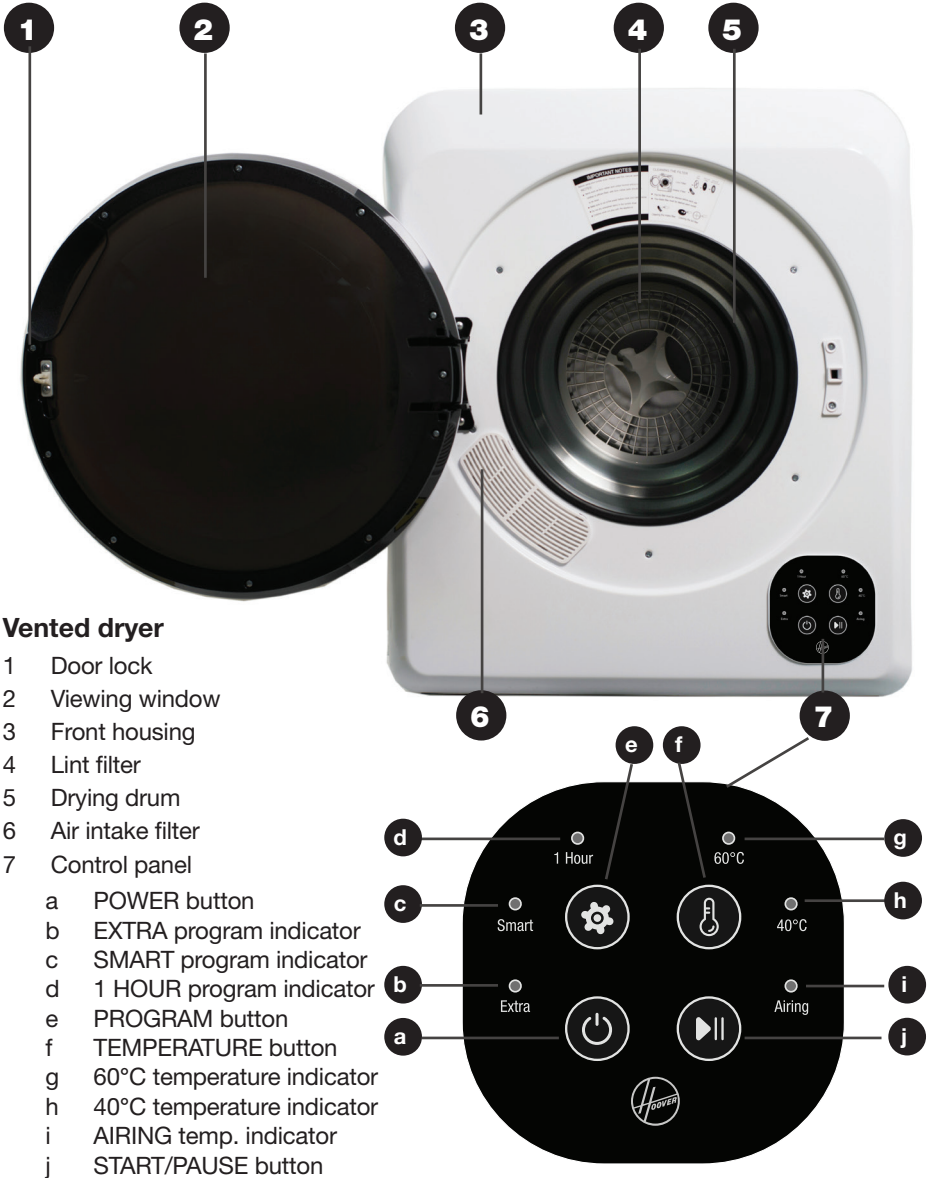
Important notes regarding installation

- Install the dryer in a dry, well ventilated area, away from heat and direct sunlight.
- Do NOT install the appliance:
 - ☒ Behind a lockable door, sliding door or a door with a hinge on the opposite side of the dryer, in such a way that a full opening of the tumble dryer door is restricted.
 - ☒ In a tight fitting cabinet.
 - ☒ In an area where it will be exposed to water or weather, which could cause permanent damage.
 - ☒ In an area where gas or flammable substances are used.
 - ☒ Directly on top of a washing machine.
- All electrical connections must be made by qualified personnel and all instructions in this manual as well as local safety regulations are observed.
- Exhaust air must not be discharged into a flue which is used for exhausting fumes from appliances burning gas or other fuels.
- **CAUTION: Do not overload** the dryer: the maximum amount of dry textile material that can be dried in one load is 5.0 kg.
- **CAUTION:** Do not hang clothes or put weight on the dryer door while it is open.

Product Overview

Scope of delivery

Front view



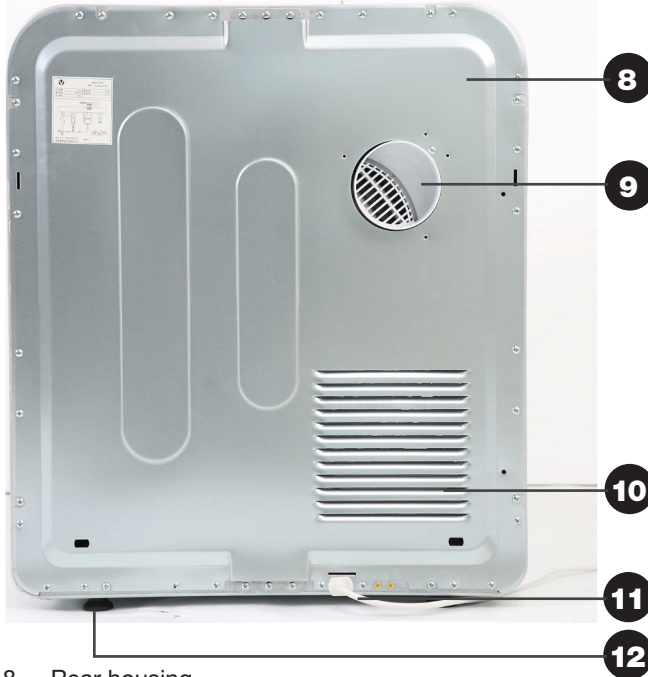
Vented dryer

- 1 Door lock
- 2 Viewing window
- 3 Front housing
- 4 Lint filter
- 5 Drying drum
- 6 Air intake filter
- 7 Control panel

- a POWER button
- b EXTRA program indicator
- c SMART program indicator
- d 1 HOUR program indicator
- e PROGRAM button
- f TEMPERATURE button
- g 60°C temperature indicator
- h 40°C temperature indicator
- i AIRING temp. indicator
- j START/PAUSE button

Product Overview (Cont.)

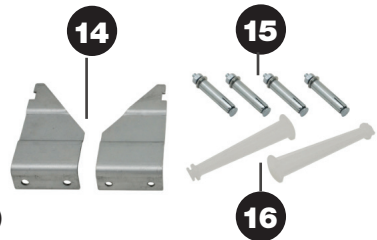
Rear view



- 8 Rear housing
- 9 Exhaust vent connection
- 10 Ventilation slots
- 11 Power cord and plug
- 12 Adjustable feet (4)
- 13 Exhaust vent

Installation hardware

- 14 Hanging brackets (2)
- 15 M6x60 mm expansion bolts (4) (for solid walls)
- 16 Plastic spacers (2)



Also supplied but not shown:

- Small screws (3) (for vent installation)
- Extra control panel print (for upside down use)
- 6x50 mm screws 10 mmØ & plugs (for timber studs)

Documentation (not shown)

- Instruction manual
- Warranty certificate

NOTE: Due to continued product improvement, images and illustrations in this manual may vary slightly from the product purchased. All images in this manual are for reference purposes only. Parts are not necessarily pictured to scale.

Installation

Unpacking

- This product has been packaged to protect it against transportation damage. Remove all packaging materials from around and inside the appliance and keep the packaging materials in a safe place. It will help prevent any damage if the product needs to be transported in the future, and you can use it to store the appliance when it is not in use. In the event that the carton is to be disposed of, please recycle it where possible.
- Plastic wrapping can be a suffocation hazard for babies and young children, so ensure all packaging materials are out of their reach and disposed of safely.
- Make sure to remove the transport packaging at the rear of the clothes dryer.
- Inspect the cord and plug for damage or wear before each use. Do not use the appliance if the appliance or its cord have been damaged or are not working properly. In case of damage, contact our after sales support centre.
- Read all instructions in this manual and make sure you understand all warnings.
- Wipe the inside of the drum with a damp cloth to remove any dust from transport.

Installation options

- This clothes dryer has been designed with the control panel low on the front panel so it is in easy reach when wall-mounted; no adjustment is necessary. If you want to wall-mount it upside down, use the extra control panel (supplied) so the printing is the right way up.
- If you want to mount the dryer on a rack (not included), the rack must be secure to ensure stability and prevent vibration. Keep at least 13cm of clear space between the dryer and any wall(s).
- The dryer is equally suitable for installation on the floor level.

Important notes regarding installation

- Install the dryer in a dry, well ventilated area, away from heat and direct sunlight.
- Do NOT install the appliance:
 - Behind a lockable door, sliding door or a door with a hinge on the opposite side of the dryer, in such a way that a full opening of the tumble dryer door is restricted.
 - In a tight fitting cabinet.
 - In an area where it will be exposed to water or weather, which could cause permanent damage.
 - In an area where gas or flammable substances are used.
 - Directly on top of a washing machine.
- All electrical connections must be made by qualified personnel and all instructions in this manual as well as local safety regulations are observed.
- Exhaust air must not be discharged into a flue which is used for exhausting fumes from appliances burning gas or other fuels.

Installation (Cont.)

Wall-mounted installation

CAUTION! This appliance is heavy. Ensure you have at least one helper to move and install it. Move cautiously when moving the dryer. Do not grasp any salient parts of the machine. Do not attempt to lift it by the door.

WARNING! Ensure the dryer is unplugged from the power supply before installation. The plug must be accessible after installation.

- To mount this dryer directly to your laundry wall, please use the supplied wall-mounting kit, which contains installation hardware and an additional printed control panel sticker (if required).
- Additional tools required are a drill with an M10 drill bit and a Phillips head screwdriver. You will also need someone to help you lift the dryer onto the wall.

Clearances

If mounting above a washing machine, allow sufficient room to open the lid of a top load washer. You will need at least 5cm space between the top of the dryer and the ceiling for ease of installation. This dryer is not suitable for placement directly on top of a washing machine.

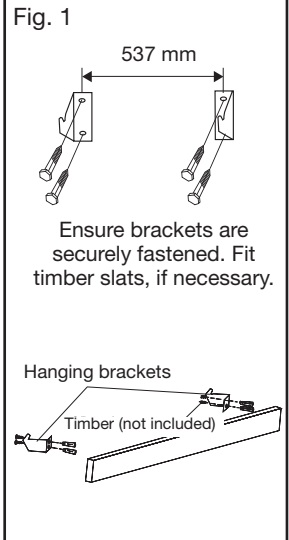
Wall-mounting the appliance

Determine the dryer position on the wall and mark the required bracket position, 537 mm apart, using the wall brackets as a template for the screw holes (Fig. 1).

IMPORTANT!

- Your wall must be structurally sound and sturdy enough to support the weight of the dryer with a full load (40 kg). If in doubt, consult a builder.
- To mount the appliance to a solid (brick or concrete) wall, affix the brackets to the wall using the supplied expansion bolts.
- To mount the appliance to a plasterboard wall, affix the brackets securely to a timber stud using the supplied 50 mm wood screws 10 mm Ø and wall plugs.
- Installation hardware is supplied for both wall-mounting options.

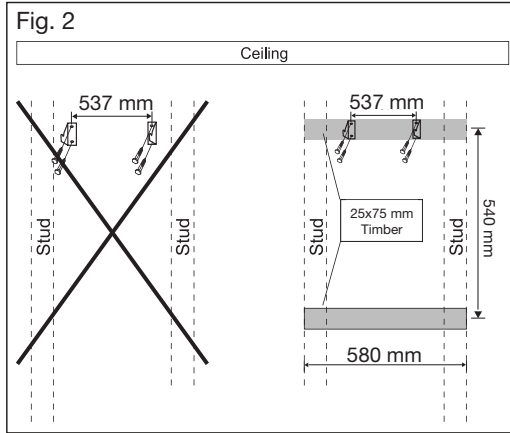
NOTE: Ensure the screw holes are in an appropriate position: they must not overlap with any power outlets, cabling or taps.



Installation (Cont.)

Wall-mounting to a plasterboard wall

1. If mounting to a plasterboard wall and the space between two timber studs is too wide, fit a timber slat between the studs to mount the brackets securely onto the studs (Fig. 2).



2. Drill four holes in the timber studs (slat) and insert the wall plugs into the holes.
3. Align the two hanging brackets with the screw holes over the wall plugs and fasten them securely to the wall using the timber screws.

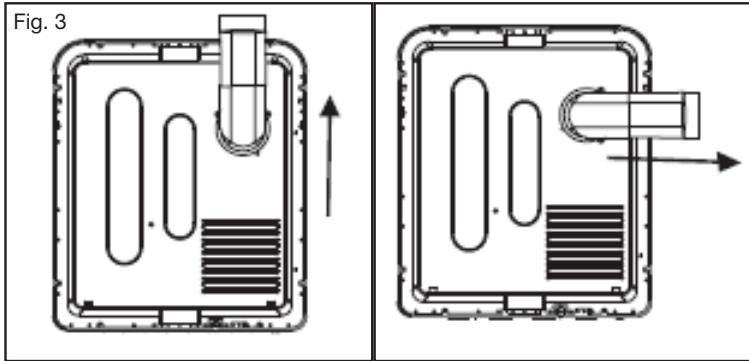
Wall-mounting to a solid (brick or concrete) wall

1. If mounting to a solid wall, drill four 70 mm deep holes for the expansion bolts using a drill with a $\text{Ø}10$ mm drill bit.
NOTE: Use a special $\text{Ø}10$ mm drill bit for use on tiles if installing the appliance onto a tiled wall.
2. Attach the brackets to the wall using the four expansion bolts. The expansion bolts consist of a bolt, an expansion tube, a nut and washers. First insert a bolt and expansion tube into each of the four drilled holes and then thread a nut onto the end of the bolts. To prevent the thread being damaged, do not expose the end-thread of the bolt. Then hammer the four bolts into the holes.
3. After you have hammered the bolts into the wall, remove the nut and washers. Attach the hanging brackets to the bolts, then put the washers back on: first the flat washer, then the spring washer, then the nut.
4. Tighten the brackets with a socket or a wrench.

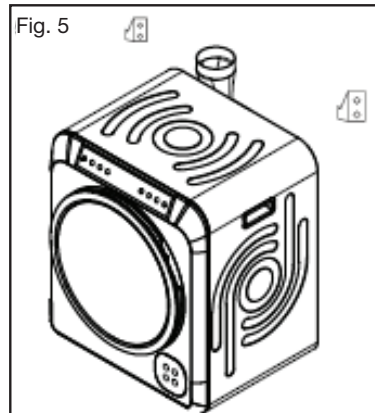
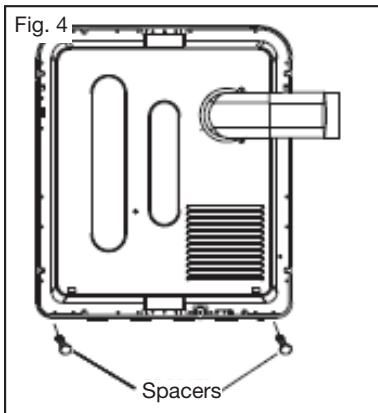
Installation (Cont.)

Attaching the exhaust vent and spacers

1. The exhaust vent can be installed to point upwards or sideways (Fig. 3). Use the small screws (supplied in a bag inside the vent) to affix it to the back of the dryer.



2. Attach the two spacers to the back of the unit. Insert them into the extra hanging slots at the opposite side (Fig. 4) and turn 90 degrees to secure.
3. With assistance, mount the clothes dryer onto the wall bracket. To do so, lift the dryer and align the slots at the back of the machine with the wall brackets. Then carefully hang the dryer onto the brackets (Fig. 5). Make sure the hooks of the brackets are firmly inserted into the slots.



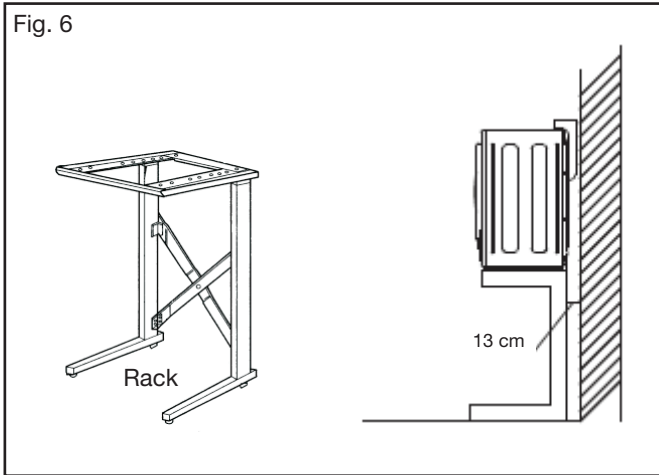
Upside-down installation

If mounting the unit upside down on a wall, drill holes 317 mm apart and use the hanging slots at the opposite side of the rear panel (which are otherwise used for the spacers, see Fig. 4). Then affix the supplied printed control panel over the existing panel.

Installation (Cont.)

Rack-mounted installation

- If the clothes dryer is to be rack-mounted, you will need a secure bracket (not supplied) to ensure stability and prevent vibration (Fig. 6).
- Make sure to leave at least 13 cm space between the dryer and any wall(s).
- You will need at least 5 cm space between the top of the dryer and the ceiling for ease of installation.



Freestanding, floor level installation

The dryer can also be installed on the floor; small feet are fitted to the bottom of the appliance for floor level use.

- Make sure the floor surface is firm, flat, dry and stable, and there is an appropriate wall outlet nearby. Do not place the appliance on soft material such as foam, plastic or carpet, as this may block the air intake.
- Carefully stand the dryer on its feet and slide it into position, leaving a space of at least 13 cm between the dryer and any wall.
- The appliance must be installed level, otherwise its operation will be impaired. When you have placed the dryer in its permanent position, use a spirit level to ensure the appliance is level. If your floor is slightly uneven, adjust the appliance feet. Never remove the feet of the appliance, which would restrict the floor clearance required.

Electrical connection

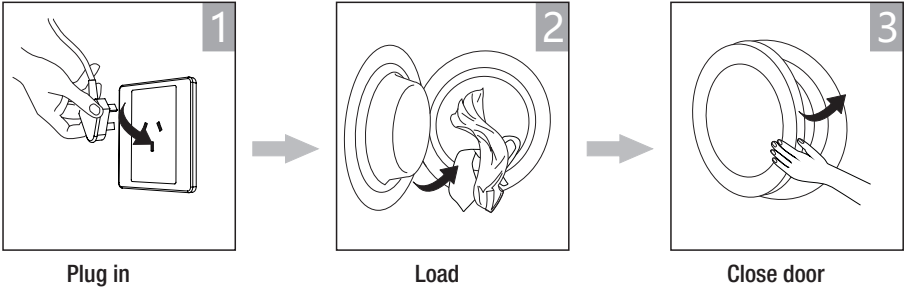
- This is a Category I electrical product.
- Once the clothes dryer is properly installed, plug the electrical cord into an appropriately earthed three pin wall socket, switch on the power at the socket and try the machine (refer to the page 17, “Trial run” section for instructions).

Getting Started

Quick start guide

The pictorial quick start guide below only contains basic information. For detailed operating instructions, please read the corresponding content on the following pages. Please ensure the dryer is properly and securely installed before using it.

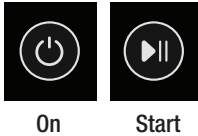
Preparation



Drying

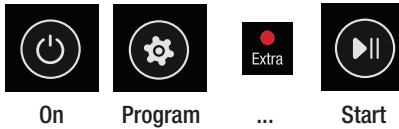
Option 1:

Smart Program



Option 2:

Extra Program

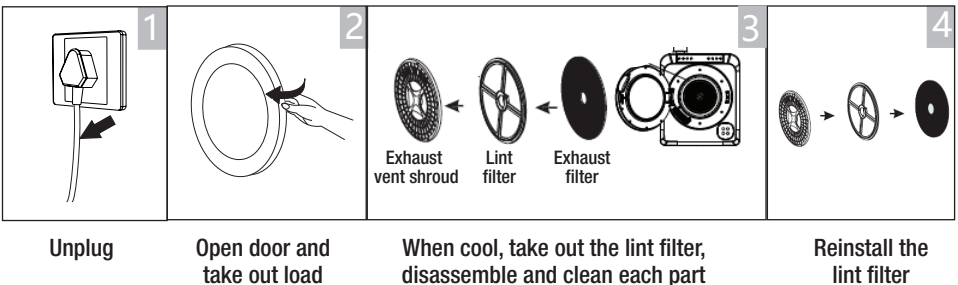


Option 3

1 Hour Program



Afterwards



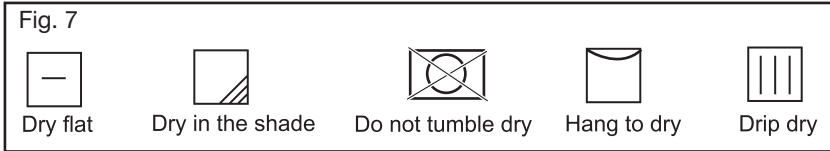
Instructions

CAUTION!

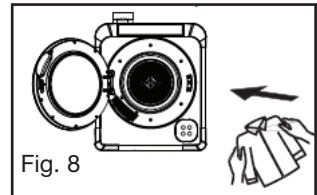
Make sure you read all safety precautions in this manual and are aware of the items (listed on page 5) that may NOT be placed in a clothes dryer as they cause a hazard.

Loading the dryer

- Prior to loading the dryer, check that none of the items have the following symbols anywhere on them, which indicate that items are UNSUITABLE for clothes drying (Fig. 7).



- The clothes dryer is intended only for drying textile material that has been washed in water and well spin-dried. Dripping water may cause an electrical hazard. Thoroughly spin the laundry in your washing machine on a high spin speed, which can reduce the drying time and save energy consumption.
- Ensure that the items to be dried do not have combustible materials or foreign objects (such as lighters, hair pins, coins) inside pockets.
- Make sure the lint filter is clean and properly in place.
- To avoid items getting tangled up in the dryer, which results in uneven drying, we recommend placing items into the dryer one at a time (Fig. 8).
- Turn items with zippers inside out, close zippers, hooks and eyelets, fasten buckles and tie fabric belts. This will also help reduce impact noise when the items hit against the turning drum.
- As the dryer heat may permanently set stains, ensure you check prior to drying.
- For uniform drying results, sort the laundry according to fabric type and drying program. Separate dark and light coloured items as you would do when washing.
- Place small, delicate items in a mesh bag, but do not add too many to one bag. (It is not recommended to dry underwire bras in a clothes dryer.)
- When drying large items such as a blanket or sheets, open the dryer door and shake out the item from time to time, then place the item back in the dryer and close the door; this will ensure even drying.
- **CAUTION: Do not overload the dryer: the maximum amount of dry textile material that can be dried in one load is 5.0 kg.**
- When closing the dryer door prior to starting the unit, ensure that items are not jammed in the door.
- Do not add items into the dryer while it is operating.



Instructions (Cont.)

Control panel

The control panel at the front of the clothes dryer has four buttons and six indicators (Fig. 9).

Power button

Press the POWER button to turn on the dryer. When the dryer is on, press the POWER button to set it to standby.

Program button

Press the PROGRAM button, repeatedly, to select the desired drying program. The corresponding indicator light will illuminate.

Fig. 9



Program	Max. Weight	Temp.	Type of Textiles	Max. Drying Time
Extra	4–5 kg	60°C	Cotton towels or bed linen, larger quantities or bulkier items that can withstand high heat	150 min
Smart	1–5 kg	55°C	Cotton clothing or textiles, jeans and other suitable items	150 min
1 Hour	2 kg	60°C 40°C Airing	Cotton clothing or textiles, depending on the set temperature	60 min

- **Extra:** Suitable for fast drying of textiles that can withstand high heat. The program runs for a maximum time of 150 minutes, or switches off earlier when the sensor detects that the load is dry. The temperature cannot be adjusted.
- **Smart:** Suitable for drying of suitable textiles at a slightly lower temperature. The program runs for a maximum time of 150 minutes, or switches off earlier when the sensor detects that the load is dry. The temperature cannot be adjusted.
- **1 Hour:** This one hour program is suitable for small loads of clothing. The drying temperature can be set for the type of textiles to be dried: 60°C, 40°C or Airing, which simply refreshes clothes without heat.

Temperature button

Use the TEMPERATURE button to select the desired drying temperature (60°C, 40°C, or Airing [no heat]) when using the **1 Hour** program. The corresponding indicator light will illuminate.

Instructions (Cont.)

Start/pause button

- Press the START/PAUSE button to start operation. The dryer will start after two seconds.
- During operation, press the START/PAUSE button to pause the dryer, for example, to add an item or to remove one.
CAUTION: When pausing the dryer and opening the door, beware of hot surfaces and hot steam escaping. Take utmost care to avoid scalding.
When you have added/removed the item, close the door and press START/PAUSE again to resume operation.
- If you press the START/PAUSE button straight after turning on the power supply, the machine will run according to the **Smart** program.

Trial run

In order to remove any dust and grease, which may be in the drum from the manufacture and transportation process, we recommend you run the dryer with some clean damp rags before using it for the first time with your laundry. Make sure the dryer is properly connected and power is switched on at the outlet.

- Put some clean rags into the drum.
- Press the POWER button and select the **1 Hour** program and **40°C**.
- Press the START/PAUSE button and let the program run to the end.
- Remove the rags and clean the lint filter (see page 20).

Door opening

While you can open the door during operation to add an item you forgot, we recommend you do NOT open the door until the program has finished to avoid getting scalded, as parts of the machine may get hot during operation. If the door is opened during operation, the dryer will automatically stop. To restart it, you must close the door securely and press the START/PAUSE button.

CAUTION: HOT SURFACES!



Parts of the appliance can become hot during use and retain heat for some time after turning off. Do not touch hot surfaces!

To avoid scalding and creating a fire risk, do not stop the dryer before the end of the drying cycle, as parts of it may get hot during use. If you must remove items during the drying cycle, open the door, remove them quickly, and spread them out so that the heat is dissipated.

The door window may be hot after a long drying cycle. Please ensure children are kept away from the machine.

Do not use any combustible substances (for example, spray cans) close to the dryer while it is in operation. If gas has escaped from the can, do not touch the plug or start/pause the appliance.

FAQs and Troubleshooting Guide

Troubleshooting guide

If your clothes dryer has a fault, is not working properly, or you think it should work better, use the list below to identify and solve any problems.

If you cannot solve the problem, switch off the dryer and unplug it from the power supply. Then contact our after sales support centre for advice. Do not attempt to dismantle or repair the dryer yourself.

Problem	Possible cause	Solution
The dryer does not start.	Is the power plug inserted firmly? Is the door closed? Is the power switched on at the wall socket? Have you pressed the POWER and START/PAUSE buttons?	Insert the power plug firmly. Close the door securely. Switch on power at the wall socket. Press the POWER and START/PAUSE button.
Clothes shrink.	Are the clothes are unsuitable for drying in the clothes dryer? Have the clothes been dried at too high heat?	Check the clothes labels and hang dry, if recommended. If the clothes may be tumble dried, choose a lower drying temperature more suitable for the fabric.
The washing is not thoroughly dried.	Is the filter clogged? Is the air inlet dirty? Was an inappropriate program chosen? Is there too much washing in the dryer? Has the washing been twisted while drying?	Check and clean the lint filter. Check and clean the air inlet. Choose a program with a higher drying intensity. Reduce the amount of washing in the dryer. Untwist the items and dry them for a little longer.
There are some strange noises.	Heavy, wet clothes tumbling in the drum can cause bumping noises when the drum is turning.	These noises are normal. Make sure your drying load is properly spin dried to limit the noises.

FAQs and Troubleshooting Guide (Cont.)

Safety reset

The dryer has a safety cut-out switch, which shuts down the power supply to the unit if the temperature inside the unit is too high. Should you notice that this has happened, proceed as follows:

- Switch off and unplug the dryer and let it cool down for 10 minutes.
- Check and ensure that the filter is clean and that nothing is obstructing the air inlet and ventilation grilles (see “Prevent overheating”, below).
- Plug in the dryer, switch it on and restart it.

If the dryer still does not work properly, or the problem occurs repeatedly, please contact our after sales support centre, or a qualified service technician.

NOTE: If the dryer is not attended to when the cut-out switch activates, the machine will restart automatically once the temperature has dropped to a safe level.

Prevent overheating

- The most common reason for the dryer to overheat is a blocked lint filter. Check the filter and ensure nothing is blocking it – for example, a lightweight item such as a handkerchief might have been sucked over the filter. Clean the filter after each drying load. Cleaning instructions follow on the next page.
- Also ensure that the air intake filter and any ventilation openings are clean and free of obstructions. Use a cloth, soft brush or the brush attachment of a vacuum cleaner to clean the openings.
- Other reasons for the dryer to overheat include poor ventilation in the laundry – make sure you have a window or door open when you are using the clothes dryer.

Other Useful Information

Cleaning and maintenance

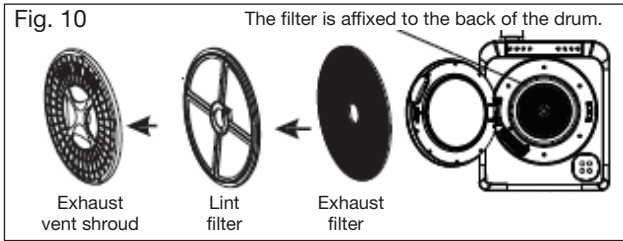
Keeping your clothes dryer in good, clean condition will prolong its service life.

WARNING!

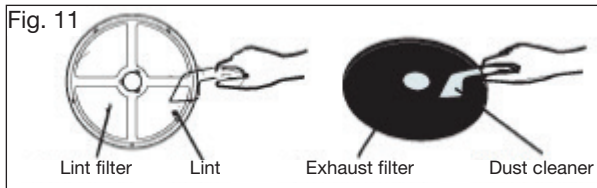
- Before cleaning or maintaining any part of the dryer, make sure it has cooled down and is unplugged from the power supply.
- The lint filter must be in place when drying. It must be cleaned before/after each use.

Cleaning the lint filter

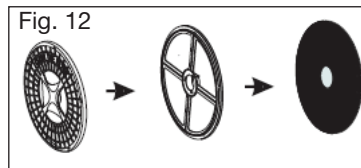
1. To remove the filter, insert your fingers around the middle part of the exhaust vent shroud and pull out the filter assembly, turning it slightly. The filter assembly consists of three parts (Fig. 10).



2. Take off the exhaust filter, then separate the lint filter from the exhaust vent shroud, pulling gently at the edges and turning it slightly. Using a soft brush, cloth or vacuum cleaner attachment, clean the filter parts, taking care not to damage them (Fig. 11).



3. To reinstall the filter after cleaning, assemble the parts in the sequence of exhaust filter - lint filter - exhaust vent shroud (Fig. 12), aligning the recesses in the centre with the projection in the centre of the drum. Make sure that the filter assembly is firmly inserted. It should audibly click into place. Then turn it in clockwise direction until it is securely fitted.



NOTE: The fixed metal grid at the rear of the drum should also be cleaned with a soft cloth or brush.

Other Useful Information (Cont.)

Cleaning the air intake filter

- The air intake filter at the front of the unit should be cleaned about once a month.
- To remove the air intake filter, grip it by its sides and pull it off the front panel, lightly pushing the filter upwards with your thumb until the latch hook disconnects (Fig. 13).
- Clean the filter with a soft brush.
- To reassemble the filter, position it back in its space and press firmly until it clicks into place.



WARNING!

- Never wash the exterior or interior of the appliance directly with water.
- Do not use solvents, thinner, alcohol based or harsh or abrasive cleaners on any of the dryer surfaces.

Cleaning the cabinet and drum

- Use a soft, dry or damp cloth to wipe the dryer cabinet and/or the drum, if necessary.
- If using a damp cloth, make sure it is not too wet. Leave the appliance door open after cleaning to ensure the drum can air-dry completely.
- Do not use any type of spray cleaner when cleaning the interior. If the dryer drum becomes stained, clean the drum with a damp cloth. If cleaning the drum has left any residues on the drum, make sure to remove it before drying the next load.
- Use a dry cloth or soft brush, or the soft brush attachment of a vacuum cleaner, to clean the areas around the air intake and exhaust opening. It is important that they are kept clean and free from lint, dust and dirt. Any obstructions around the exhaust opening might reduce the airflow, and/or lead to overheating of the appliance.

Other Useful Information (Cont.)

Storage

If you are not going to use the appliance for an extended period of time, unplug it and store it upright in the original packaging to protect it from dust. Store the unit in a dry place, out of children's reach.

Service, repair and spare parts

If the appliance is damaged, do not attempt to repair it yourself. Contact our after sales support centre to arrange for examination or repair of the product.

To purchase a part, please contact our after sales support centre on 1300 886 649 or via tempo.org/support. Our after sales support centre stocks the following spare parts for the appliance:

Other Useful Information (Cont.)

Technical specifications

Product	5 kg Vented Dryer
Model Number	HV-LVD5
Rated capacity	5 kg
Voltage & Frequency	220-240 V~ 50-60 Hz
Rated Power	1500 W
Ingress Protection	IPX4
Dimensions (approx.)	595 (W) x 510 (D) x 681 (H) mm
Net Weight	approx. 27 kg

Compliance

This product has been fully tested and meets all requirements as set out by standards AS/NZS 60335.1 and AS/NZS 60335.2.11.



The RCM Mark (Regulatory Compliance Mark) indicates that the product complies with the relevant guidelines of the ACMA as well as corresponding government requirements for the safety of electrical devices.

Responsible disposal



Packaging materials are recyclable. Please dispose of them responsibly for recycling.



At the end of its working life, do not throw this appliance out with your household waste. Electrical and electronic products contain substances that can have a detrimental effect on the environment and human health if disposed of inappropriately. Observe any local regulations regarding the disposal of electrical consumer goods and dispose of it appropriately for recycling.

Contact your local authorities for advice on recycling facilities in your area. Or find recycling scheme services listed on Planet Ark's website at www.recyclingnearyou.com.au, or call Planet Ark on 1300 733 712.

Warranty returns

Should you for any reason need to return this product for a warranty claim, make sure to include all accessories with the product.

Product does not work?

If you encounter problems with this product, or if it fails to perform to your expectations, make sure to contact our After Sales Support Centre on (AU) 1300 886 649 or (NZ) 0800 836 761 for advice.

Distributed by Tempo (Aust) Pty Ltd ABN 70 106 100 252

PO BOX 132, Frenchs Forest NSW 1640, Australia

Customer Helpline:

(AU) 1300 886 649 (NZ) 0800 836 761

Web Support: tempo.org/support

For an electronic copy of this manual, please contact our after sales support centre.